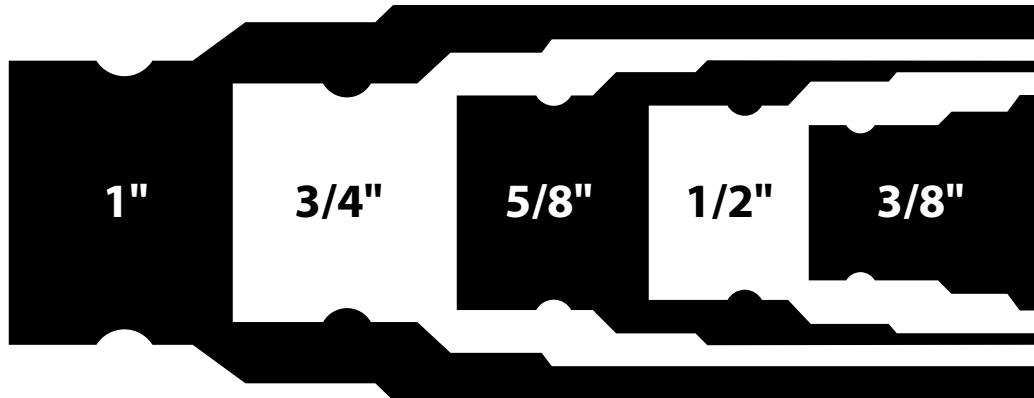


The fractional (1/2", 3/4", etc.) coupler sizes shown here are nominal only. To identify your existing hydraulic quick couplers, match the male coupler to one of the outlines show below.

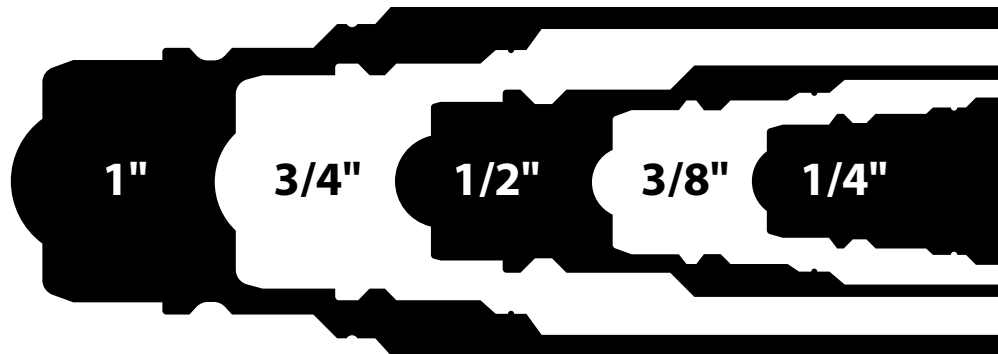
ISO 16028 HT Series Flush-Face

- Interchanges with:
- Faster FFI Series
 - Holmbury A Series
 - Parker FEM Series
 - Snap-Tite 74 Series



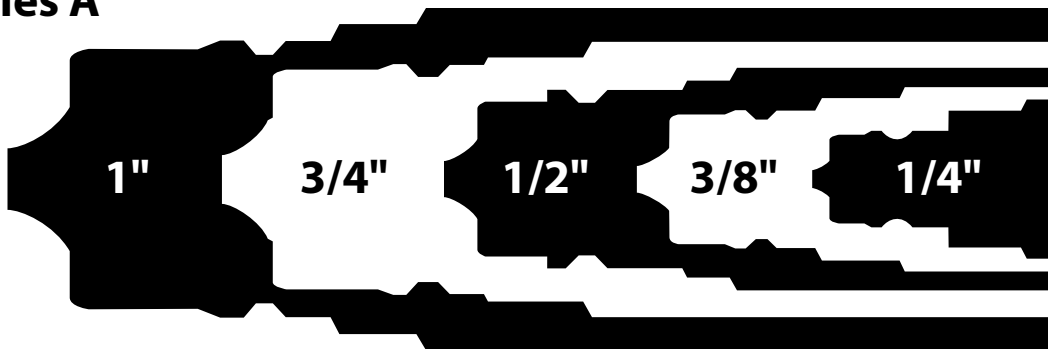
ISO 5675 AG Series Agricultural

- Interchanges with:
- Faster NS Series
 - Parker/Pioneer 4000 Series
 - Safeway S20 Series
 - Tomco PC Series



ISO 7241-1 Series A 600 Series Hydraulic

- Interchanges with:
- Aeroquip FD56 (5600) Series
 - Faster ANV Series
 - Hansen HA15000 Series
 - Parker 6600 Series
 - Safeway S56 Series



ISO 7241-1 Series B 700 Series Hydraulic

- Interchanges with:
- Aeroquip FD45 Series
 - Faster HNV Series
 - Hansen HK Series
 - Parker 60 Series
 - Snap-Tite 72 Series

